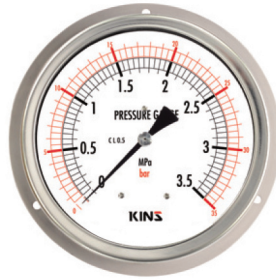


Test Pressure Gauge

Model No. **SS-3120 Series**



SS-3121 150mm



SS-3124 150mm

Summary

In these days, as the service condition is diverse, the need of measuring high level pressure increases. This gauge is proper for measuring the changes of high levels or for calibrating instrument for general level (level 1.5, 3.0).

Safety Management

- Do not give impact during the transportation, installation and usage
- Be sure to install the pressure gauge to be horizontal and vertical
- Avoid places where exist a lot of steam, poisonous gas.

Purpose of Use

- Various laboratories, standard equipment
- Various line such as precise pressure measuring line
- General type, correction of other pressure gauges, for inspection, etc.

Production Specification

- ▶ Diameter
 - 150 mm
- ▶ Accuracy
 - $\pm 0.5\%$ of Full Scale
- ▶ Scale Range
 - 0.1 MPa ~ 100 MPa
 - ($\times 1 \text{ MPa} = 10.19716 \text{ kgf/cm}^2$)
- ▶ Working Pressure
 - Static pressure : 75% of Full Scale
 - Fluctuating pressure : 60% of Full Scale
- ▶ Working Temperature
 - Ambient : $-20 \sim 65 \text{ }^\circ\text{C}$
 - Fluid : $-20 \sim 80 \text{ }^\circ\text{C}$

Product Specification

<ul style="list-style-type: none"> + Case <ul style="list-style-type: none"> · STS 304 + Cover <ul style="list-style-type: none"> · STS 304 · Slip-on-Fit + Connection <ul style="list-style-type: none"> · STS 316 · PF, PT, NPT \leftrightarrow 1/4, 3/8, 1/2 + Window <ul style="list-style-type: none"> · Tempered safety glass, · Laminated safety glass 	<ul style="list-style-type: none"> + Type <ul style="list-style-type: none"> · A-Type (Rimless type) · B-Type (Surface type) · D-Type (Flush mounting type) · BD-Type (Panel attachment type) + Pointer <ul style="list-style-type: none"> · Aluminum · Black coating + Dial <ul style="list-style-type: none"> · Aluminum · White coating · Black (MPa), red (bar) gradations and characters 	<ul style="list-style-type: none"> + Element <ul style="list-style-type: none"> · STS 304, STS 316 · C type bourdon tube, helical type bourdon tube + Movement <ul style="list-style-type: none"> · STS 304 + Option <ul style="list-style-type: none"> · Bracket · Throttles · Accessories
---	--	---

Pressure Gauge

Differential Pressure Gauge & Switch

Accessories of Pressure Gauge

Thermometer & Thermometer Switch

Thermocouple & R.T.D

Thermowell

Transmitter

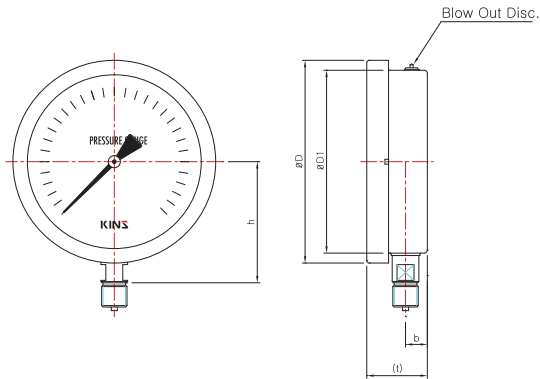
Indicator etc.

Technical data

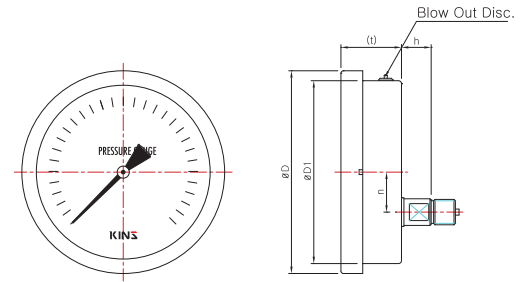
Test Pressure Gauge

Model No. SS-3120 Series

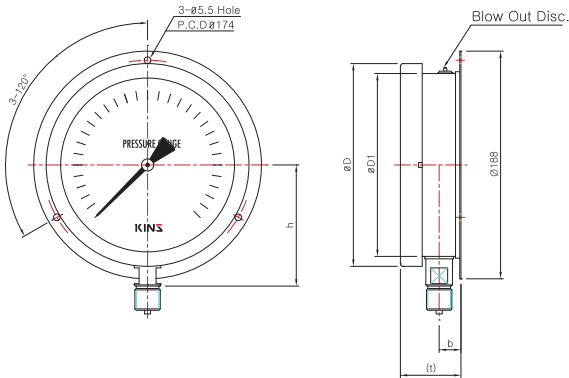
Model No. | SS-3121 (150mm)
A-Type (Rimless type)



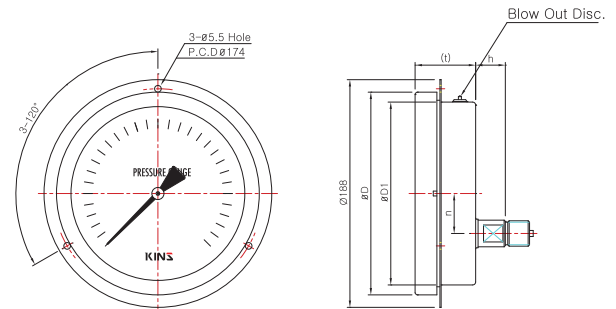
Model No. | SS-3123 (150mm)
D-Type (Flush mounting type)



Model No. | SS-3122 (150mm)
B-Type (Surface type)



Model No. | SS-3124 (150mm)
BD-Type (Panel attachment type)



Dimensions (mm)

	Model No.	Conn'n (d)	ØD	ØD1	b	n	t	L2	h	ØC	ØH
150mm	SS-3121 & SS-3122	NPT & PT, PF 1/4	168	152	17	-	(50)	17	(100)	5.5	174
		NPT & PT, PF 3/8									
		NPT & PT, PF 1/2									
	SS-3123 & SS-3124	NPT & PT, PF 1/4	168	152	-	33	(50)	17	(26)	5.5	174
		NPT & PT, PF 3/8									
		NPT & PT, PF 1/2									

*()The measurement in the blanket is approximate.